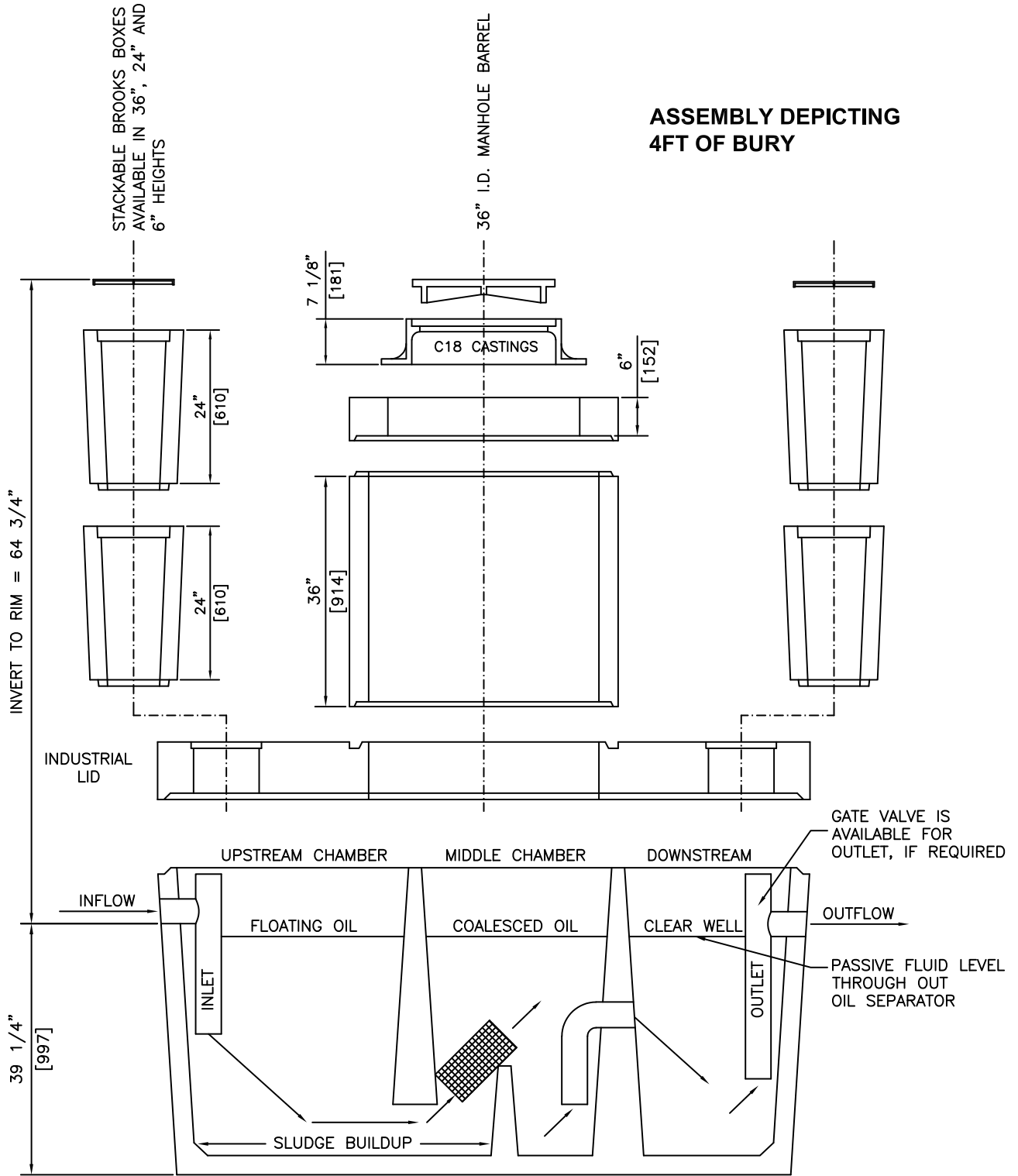


**ASSEMBLY DEPICTING  
4FT OF BURY**



**INSTALLATION SEQUENCE  
AND OPERATION DETAILS**

**NOTES:**  
U.S. PATENT No. 6,079,571  
CANADIAN PATENT No. 2,252,307

INDUSTRIAL 600  
GALLON OIL  
INTERCEPTOR TANK

REVISED: MAR 17 2006

<p><b>A.F.C.</b> AMERICAN FORCECRETE OF CANADA Inc.</p>	<p>3891 Irvine Road LAKE COUNTRY, B.C. V4V 2G4 PH: (250) 548-0056 FX: (250) 765 0820</p>	<p>BY: PKR DATE: MAR 17 06 SCALE: NTS</p>	<p><b>AFC OIL/WATER SEPARATOR : H20 50GPM</b></p>	<p>ITEM NO.</p>