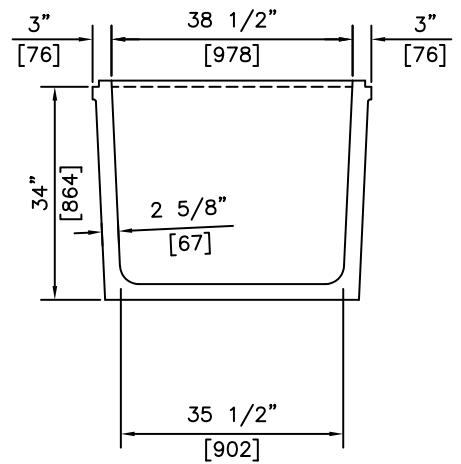
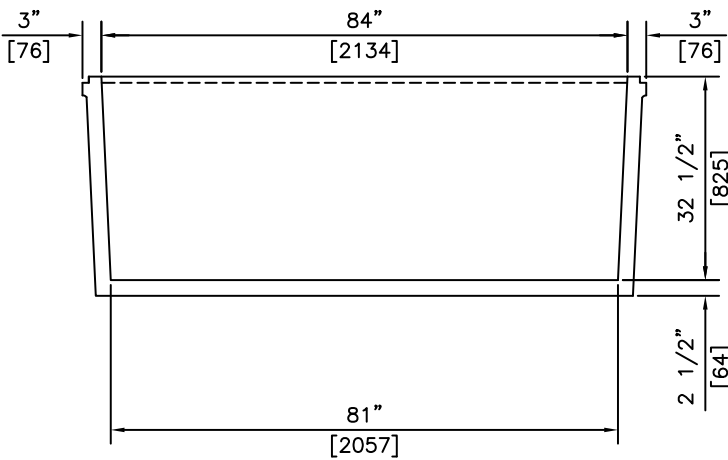


**ISOMETRIC**




**SECTIONS**

**NOTES:**

1) 32 Mpa @ 28 DAYS

REVISED: MAR 28 2006

 <p><b>KON KAST</b> products (2005) Ltd. "Committed To Quality And Service"</p>	<p>3440 UNIVERSITY WAY KELOWNA B.C. V1V 1V9 PH: (250)765-1423 FX: (250)765-0820</p>	BY: PKR	<p><b>600 GAL. SEPTIC BTM</b> <b>TWO PIECE</b> <b>PUMPOUT TANK</b></p>	ITEM NO.
		DATE: JUN 16 05		<p><b>102B</b></p>
		SCALE: NTS		