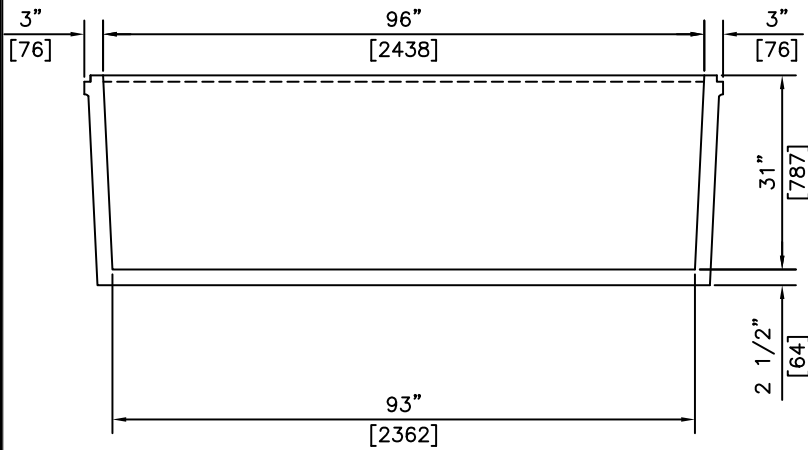
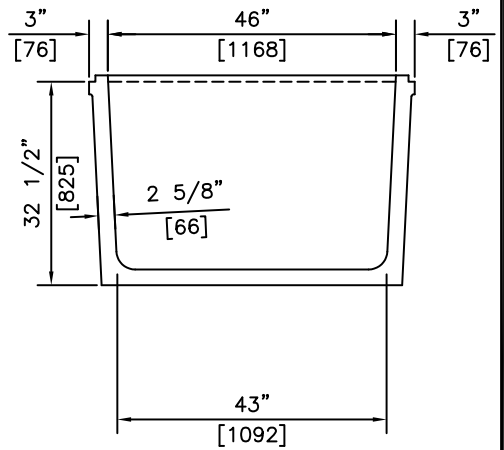


ISOMETRIC



SECTION



SECTION

NOTES:

1) 32 Mpa @ 28 DAYS

REVISED: MAR 28 2006



"Committed To Quality And Service"

KON KAST

products (2005) Ltd.

3440 UNIVERSITY WAY
KELOWNA B.C.
V1V 1V9
PH: (250)765-1423
FX: (250)765-0820

BY: PKR

DATE: JUN 16 05

SCALE: NTS

**750 GAL. SEPTIC BTM
TWO PIECE
PUMPOUT TANK**

ITEM NO.

103B