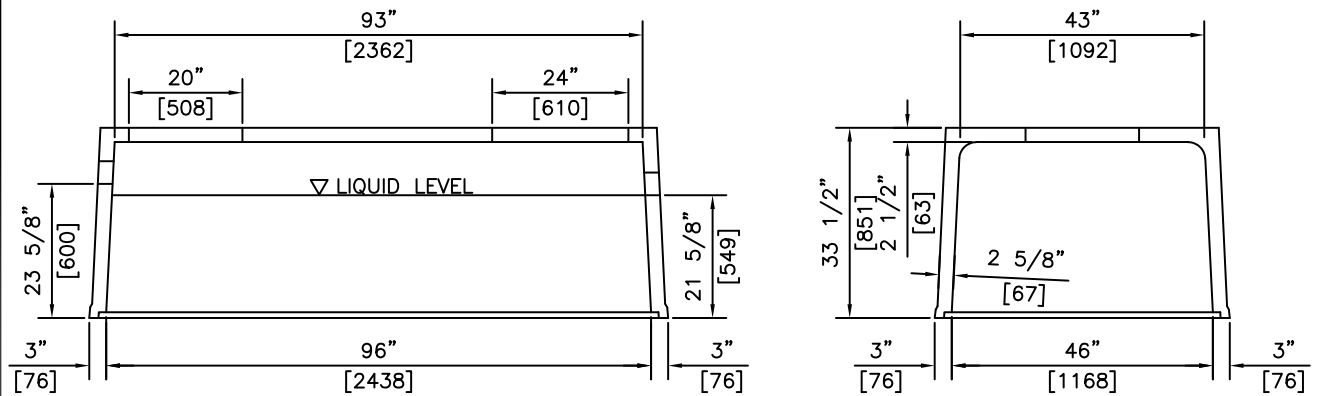


ISOMETRIC




SECTIONS

NOTES:

1) 32 Mpa @ 28 DAYS

REVISED: MAR 28 2006

| | | | | |
|--|--|--|---|-------------------------|
|  KON KAST products (2005) Ltd. "Committed To Quality And Service" | 3440 UNIVERSITY WAY KELOWNA B.C. V1V 1V9 PH: (250)765-1423 FX: (250)765-0820 | BY: PKR DATE: JUN 16 05 SCALE: NTS | 750 GAL. SEPTIC TOP TWO PIECE PUMPOUT TANK | ITEM NO. 103T |
| | | | | |
| | | | | |