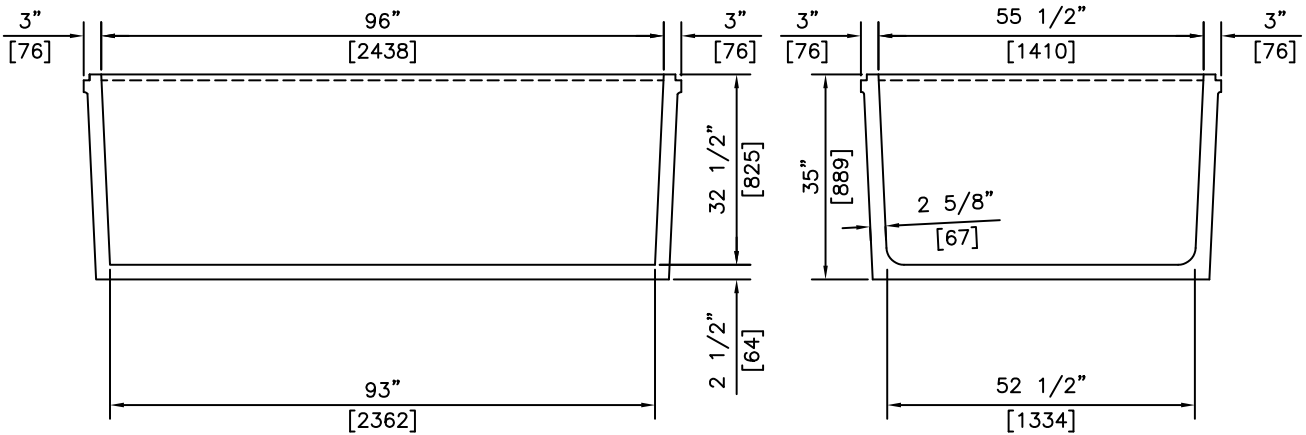


ISOMETRIC




SECTION

SECTION

NOTES:

1) 32 Mpa @ 28 DAYS

REVISED: MAR 28 2006

 <p>KON KAST products (2005) Ltd. "Committed To Quality And Service"</p>	<p>3440 UNIVERSITY WAY KELOWNA B.C. V1V 1V9 PH: (250)765-1423 FX: (250)765-0820</p>	BY: PKR	<p>1000 GAL. SEPTIC BTM TWO PIECE PUMPOUT TANK</p>	ITEM NO.
		DATE: JUN 16 05		<p>104B</p>
		SCALE: NTS		