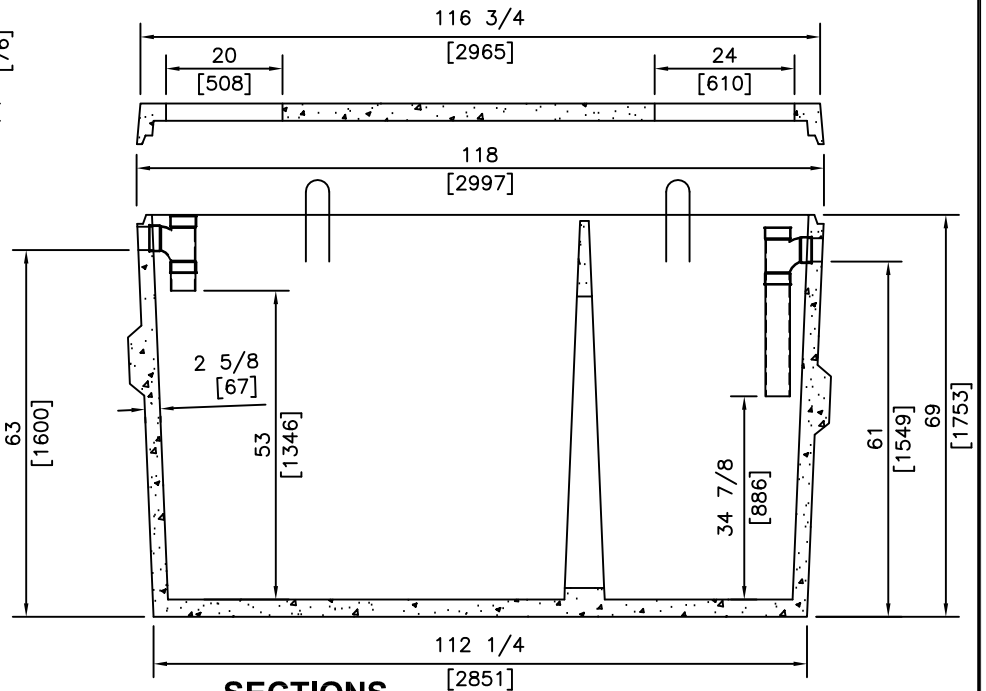
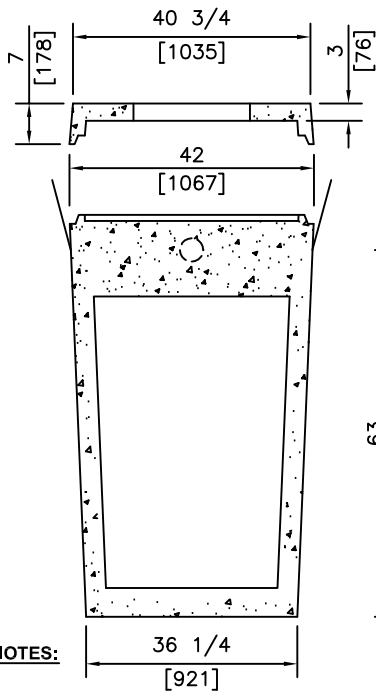


**ISOMETRIC**




**SECTIONS**

NOTES:

1) 32 Mpa @ 28 DAYS

REVISED: FEB 15 2008

 <p><b>KON KAST</b> products (2005) Ltd. "Committed To Quality And Service"</p>	3440 UNIVERSITY WAY KELOWNA B.C. V1V 1V9 PH: (250)765-1423 FX: (250)765-0820	BY: PKR	<b>750 GAL (3405L)</b> <b>ONE PIECE</b> <b>PUMPOUT TANK</b>	ITEM NO.
		DATE: JUN 20 05		<b>105</b>
		SCALE: NTS		