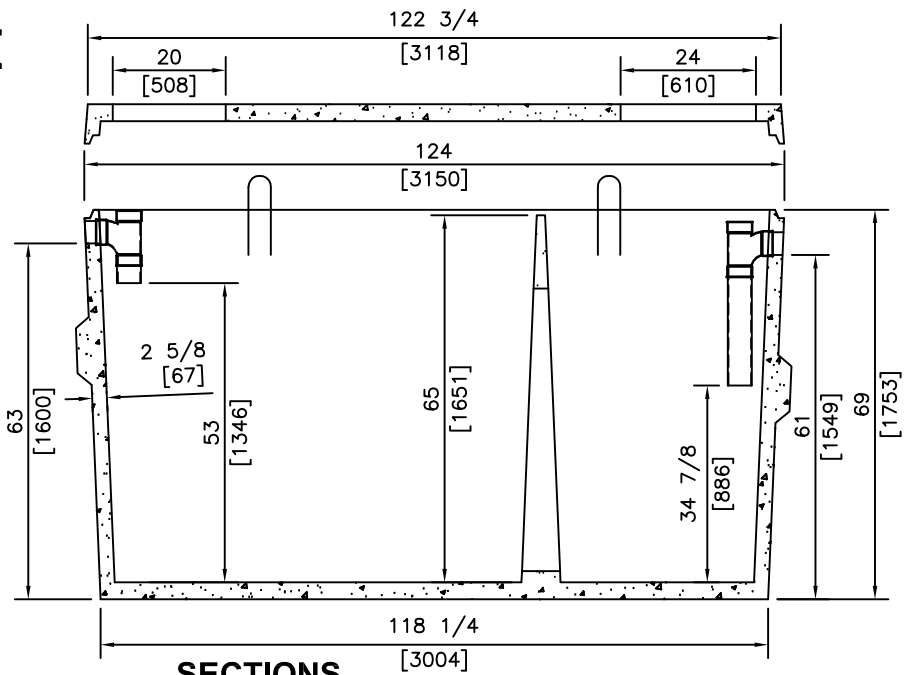
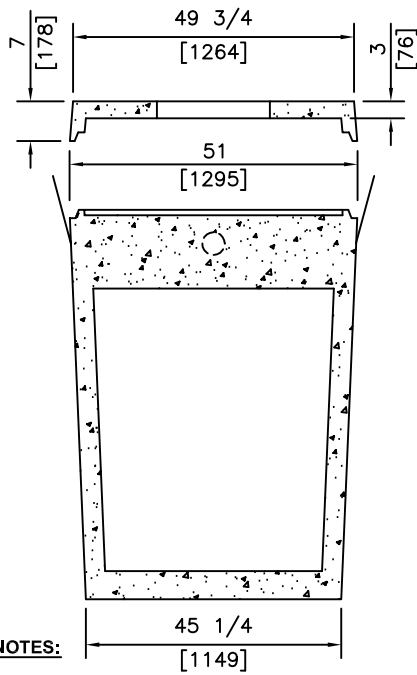


**ISOMETRIC**



**SECTIONS**

NOTES:

1) 32 Mpa @ 28 DAYS

REVISED: FEB 15 2008



**KON KAST**  
 products (2005) Ltd.

"Committed To Quality And Service"

3440 UNIVERSITY WAY  
 KELOWNA B.C.  
 V1V 1V9  
 PH: (250)765-1423  
 FX: (250)765-0820

BY: PKR

DATE: JUN 20 05

SCALE: NTS

**1000 GAL (4540L)**

**ONE PIECE  
 PUMPOUT TANK**

ITEM NO.

**106**