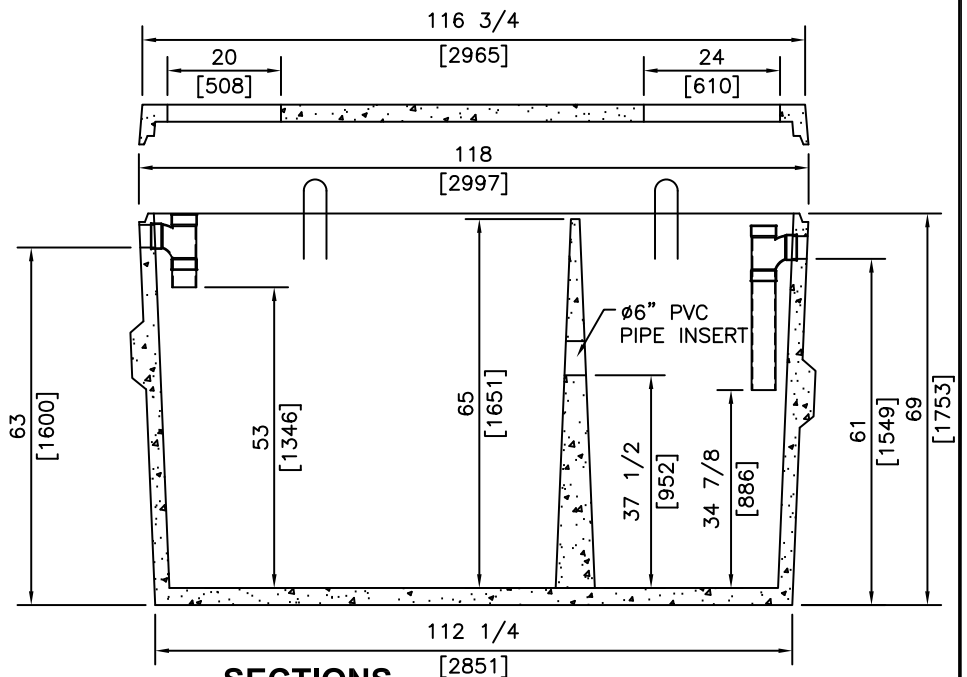
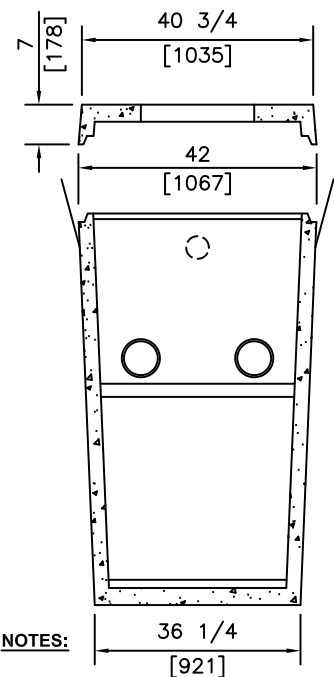


**ISOMETRIC**



**SECTIONS**

NOTES:

1) 32 Mpa @ 28 DAYS

REVISED: MAY 3 2006



**KON KAST**  
products (2005) Ltd.  
"Committed To Quality And Service"

3440 UNIVERSITY WAY  
KELOWNA B.C.  
V1V 1V9  
PH: (250)765-1423  
FX: (250)765-0820

BY: PKR  
DATE: JUN 20 05  
SCALE: NTS

**750 GAL (3405L)  
TWO COMPARTMENT  
SEPTIC TANK**

ITEM NO.  
**170**