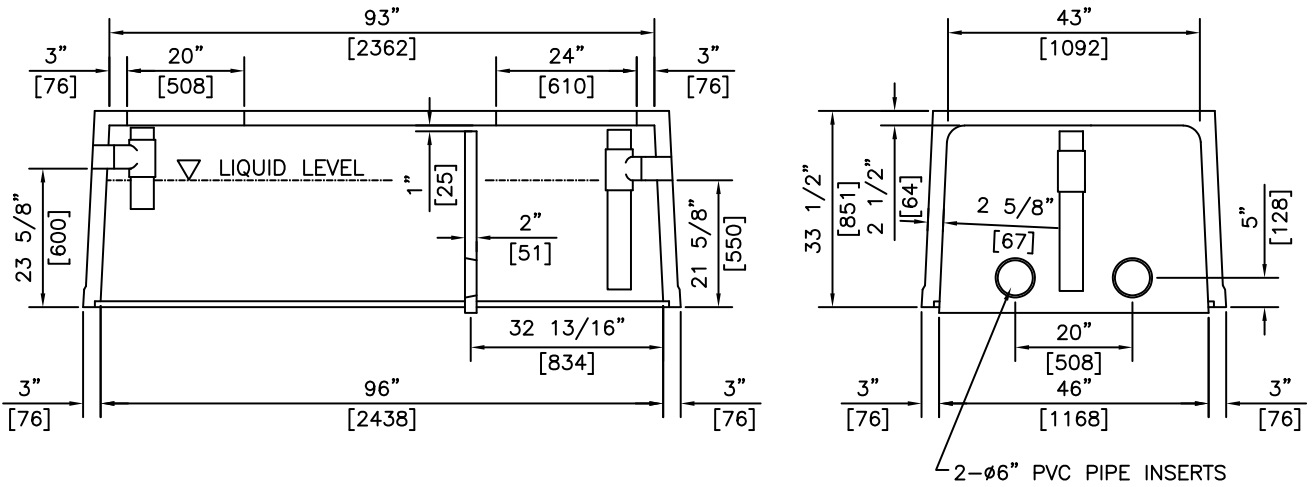


ISOMETRIC




SECTIONS

NOTES:

1) 32 MPa @ 28 DAYS

REVISED: MAR 31 2006

 <p>KON KAST products (2005) Ltd. "Committed To Quality And Service"</p>	<p>3440 UNIVERSITY WAY KELOWNA B.C. V1V 1V9 PH: (250)765-1423 FX: (250)765-0820</p>	<p>BY: PKR</p>	<p>750 GAL. SEPTIC TOP TWO PIECE TWO COMPARTMENT</p>	<p>ITEM NO.</p>
		<p>DATE: APR 29 05</p>		<p>171T</p>
		<p>SCALE: NTS</p>		