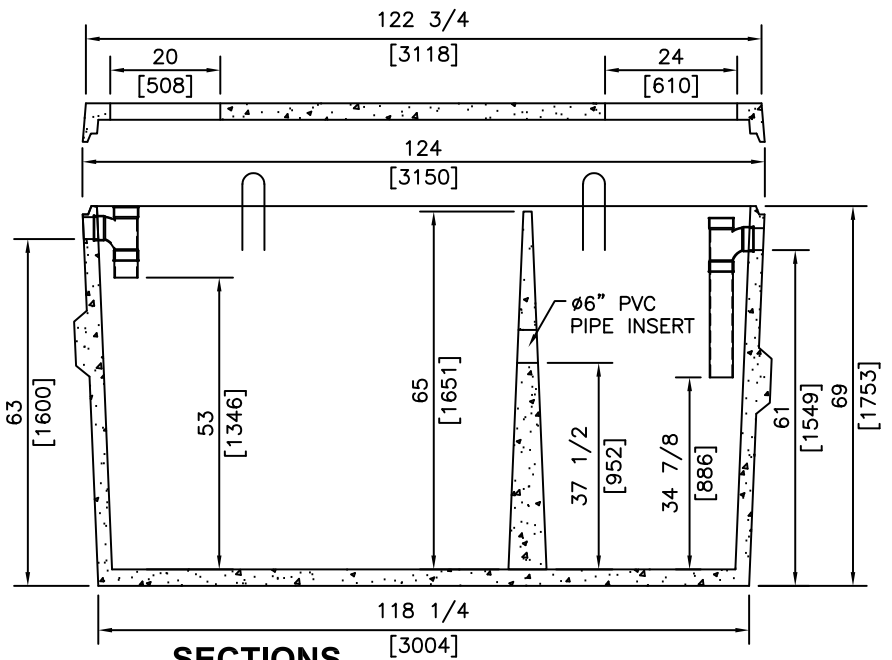
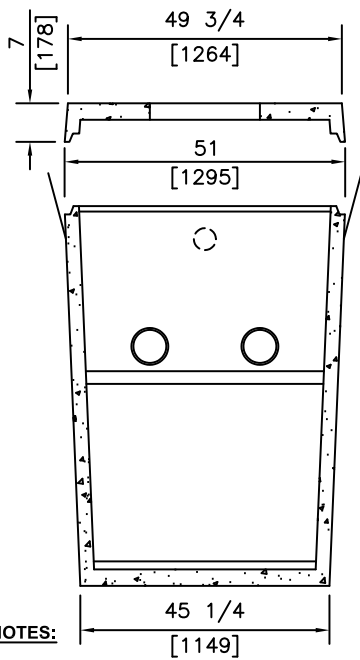


ISOMETRIC



SECTIONS

NOTES:

1) 32 Mpa @ 28 DAYS

REVISED: MAY 3 2006



KON KAST

products (2005) Ltd.
 "Committed To Quality And Service"

3440 UNIVERSITY WAY
 KELOWNA B.C.
 V1V 1V9
 PH: (250)765-1423
 FX: (250)765-0820

BY: PKR

DATE: JUN 20 05

SCALE: NTS

**1000 GAL (4540L)
 TWO COMPARTMENT
 SEPTIC TANK**

ITEM NO.

175