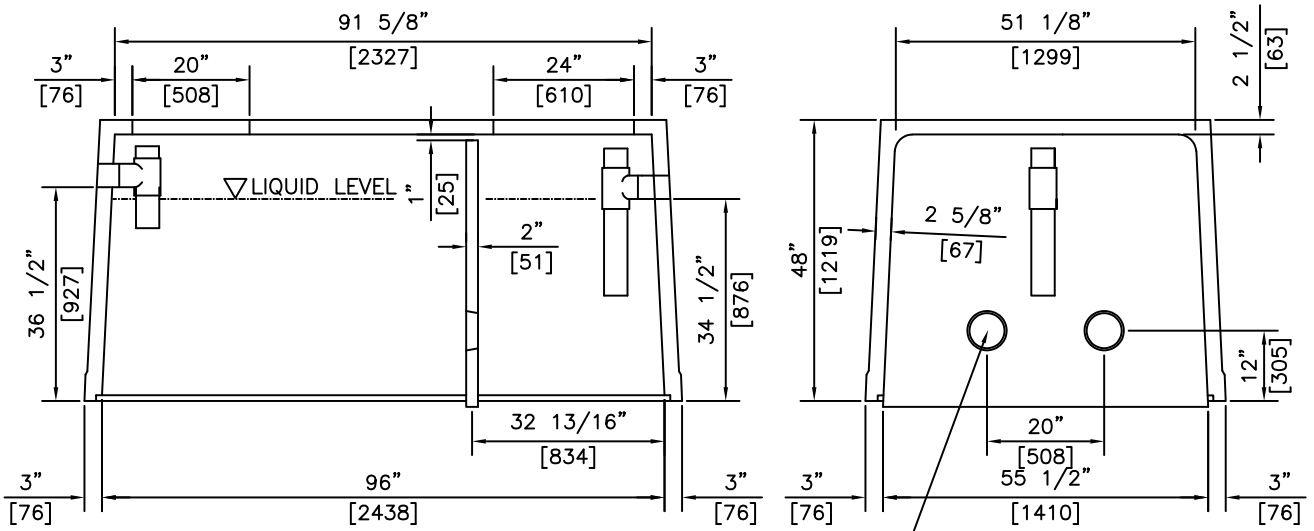


ISOMETRIC




SECTIONS

NOTES:

1) 32 MPa @ 28 DAYS

REVISED: MAR 31 2006

| | | | | |
|--|--|--|---|-------------------------|
|  <p>KON KAST products (2005) Ltd. "Committed To Quality And Service"</p> | 3440 UNIVERSITY WAY KELOWNA B.C. V1V 1V9 PH: (250)765-1423 FX: (250)765-0820 | BY: PKR DATE: APR 29 05 SCALE: NTS | 1200 GAL. SEPTIC TOP TWO PIECE TWO COMPARTMENT | ITEM NO. 181T |
| | | | | |
| | | | | |