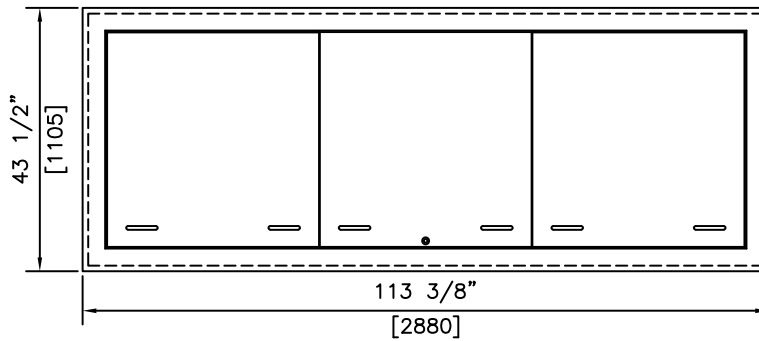
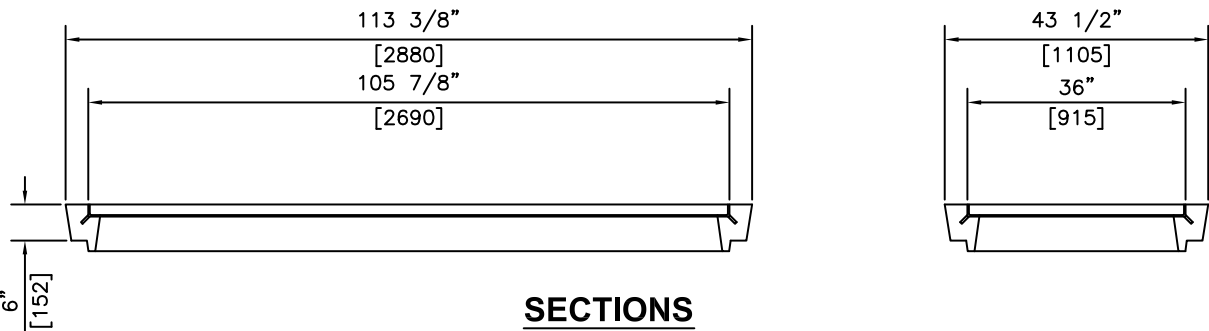


**ISOMETRIC**

Ø1/2" (19) LIFTING INSERTS  
c/w 10M REBAR 6" LONG WELDED  
TO THE FERRULE



**PLAN VIEW - c/w STEEL LID**



**SECTIONS**

**NOTES:**

- 1) 30 MPa @ 28 DAYS
- 2) MEETS H-20 LOADING
- 3) TYPE 50 CONCRETE

REVISED: MAY 3 2006



**KON KAST**

products (2005) Ltd.  
"Committed To Quality And Service"

3440 UNIVERSITY WAY  
KELOWNA B.C.  
V1V 1V9  
PH: (250)765-1423  
FX: (250)765-0820

BY: PKR

DATE: MAR 7 05

SCALE: NTS

**832 JUNCTION  
VAULT  
CONC. COLLAR**

ITEM NO.

**1133**