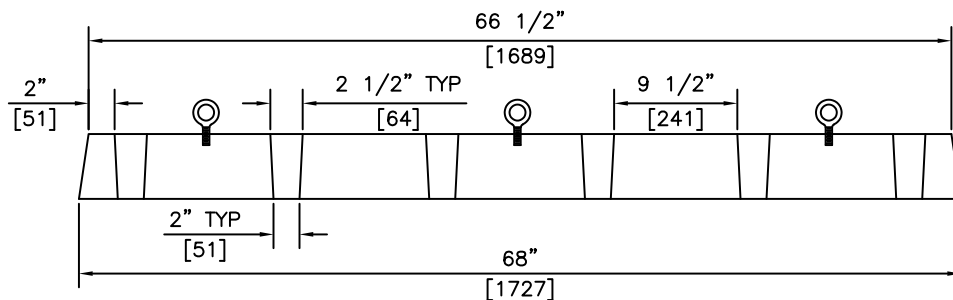


SECTION




SECTION

ITEM No.	DESCRIPTION
1413	2 GROUP BICYCLE STAND
1414	3 GROUP BICYCLE STAND
1415	4 GROUP BICYCLE STAND
1416	5 GROUP BICYCLE STAND
1417	AS SHOWN

NOTES:

1) 25 MPa @ 28 DAYS

REVISED: JAN 27 2006

 <p>KON KAST products (2005) Ltd. "Committed To Quality And Service"</p>	<p>3440 UNIVERSITY WAY KELOWNA B.C. V1V 1V9 PH: (250)765-1423 FX: (250)765-0820</p>	BY: PKR	<p>GROUP SIX BICYCLE STAND</p>	ITEM NO.
		DATE: MAR 10 05		<p>1417</p>
		SCALE: NTS		