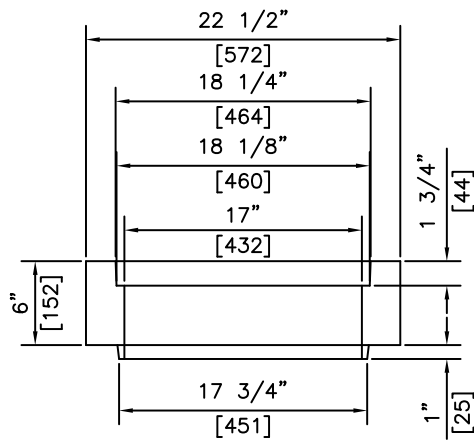
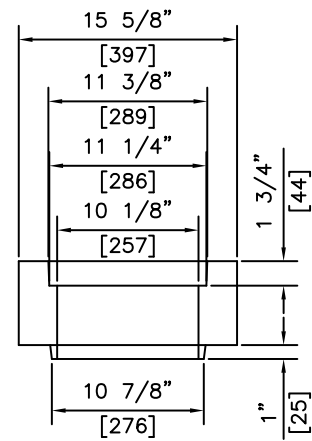


ISOMETRIC



SECTION



SECTION

NOTES:

1) 27.6 MPa @ 28 DAYS

REVISED: MAR 16 2005

 **KON KAST**
products (2005) Ltd.
"Committed To Quality And Service"

3440 UNIVERSITY WAY
KELOWNA B.C.
V1V 1V9
PH: (250)765-1423
FX: (250)765-0820

BY: PKR
DATE: MAR 16 05
SCALE: NTS

6"
BROOKS BOX
RISER

ITEM NO.
1483